

Plastic square shape inductive sensors **LE40XZ** series

Features

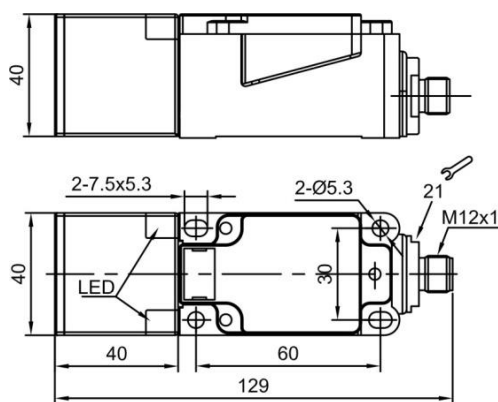
- ◆ Wider voltage range;
- ◆ Self-developed IC design, more reliable;


Part number

NPN NO	LE40XZSF15ENO-E2	LE40XZSN20ENO-E2	PNP NO	LE40XZSF15EPO-E2	LE40XZSN20EPO-E2
NPN NC	LE40XZSF15ENC-E2	LE40XZSN20ENC-E2	PNP NC	LE40XZSF15EPC-E2	LE40XZSN20EPC-E2
NPN NO+NC	LE40XZSF15ENR-E2	LE40XZSN20ENR-E2	PNP NO+NC	LE40XZSF15EPR-E2	LE40XZSN20EPR-E2

Technical specifications

Mounting	Flush	Non-flush	Current consumption	≤10mA	
Rated distance [Sn]	15mm 20mm		Circuit protection	Short-circuit, overload and reverse polarity	
Assured distance [Sa]	0...12mm	0...16mm	Output indicator	Yellow LED	
Dimensions	40*40*129mm		Ambient temperature	-25°C...70°C	
Output	NO/NC(depends on part number)		Ambient humidity	35...95%RH	
Supply voltage	10...60 VDC		Switching frequency [F]	500 Hz	300 Hz
Standard target	Fe 45*45*1t	Fe 60*60*1t	Voltage withstand	1000V/AC 50/60Hz 60s	
Switch-point drifts[%/Sr]	≤±10%		Insulation resistance	≥50MΩ(500VDC)	
Hysteresis range [%/Sr]	1...20%		Vibration resistance	10...50Hz (1.5mm)	
Repeat accuracy [R]	≤3%		Degree of protection	IP67	
Load current	≤200mA		Housing material	PBT	
Residual voltage	≤2.5V		Connection type	M12 connector	

Dimensions

Wiring diagram
